

Woltman Flow Meter - LXLC (R)- 50~300 (mm)

Removable element woltman cold (hot) water meter

This type of water meter can be used for a remote reading transmission system is equipped with a built-in sensor.

Application

Measuring the volume of cold (hot) water passing through the pipeline.

Features

- Removable element structure, easy installation and maintenance, register for universal use within this range detachable without Removing the meter from the pipeline.
- Dry-dial, Magnetic drive sensitive action, small pressure loss.
- Vacuum sealed register ensures the dial keep free from fog and Keep the reading clear in a long term service.
- Selected high quality materials for steady & reliable characteristic.
- Technical data conform to international standar ISO 4064.

Optional Features

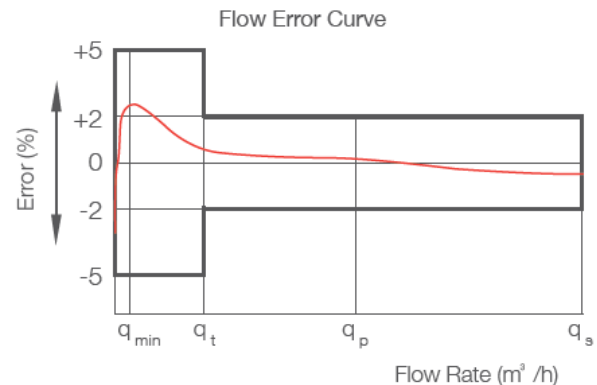
- Plastic register, cooper register and full glass register.
- Accuracy: R=50/80.
- Size: DN50-500mm.
- Cold / Hot water.
- Reed switch option.
- Flange standard can be choose.
- 360 degree rotate can be choose.
- Cast iron, Ductile Iron, SS304, SS316 body can be choose.
- Working preassure: PN 16/25.
- Color can be change on body and cover.

Working Condition

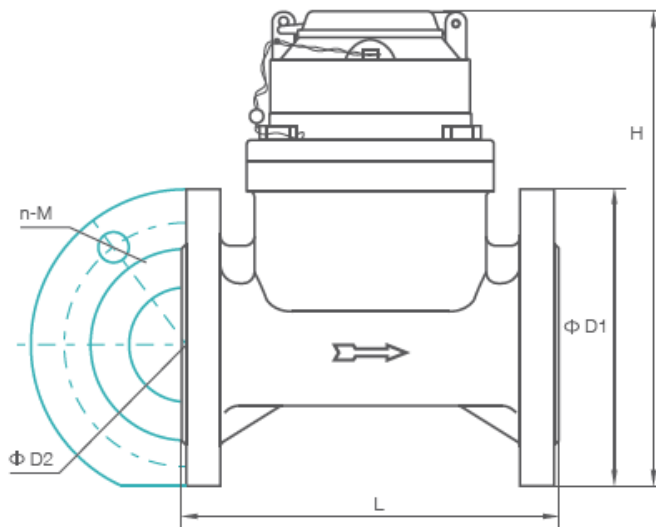
Water temperature: 0.1 °C – 50 °C (0.1 °C-90 °C for hot water meter).

Water Pressure : PN 10/16/25

Maximum Permissible ErrorIn the lower zone from from q_{min} inclusive up to but excluding q_t is $\pm 5\%$.In the upper zone from q_t inclusive up to and including q_s is $\pm 2\%$ ($\pm 3\%$ for hot water).

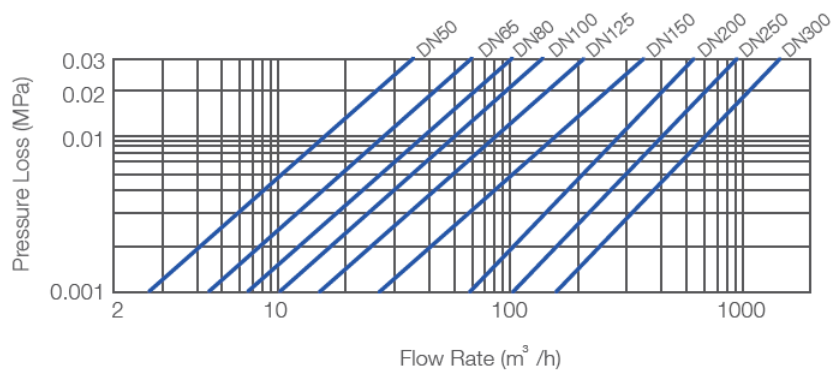


Dimensions



Type	Size	L Length	H Height	Connecting Flange		
				Φ D1 Outside Diameter	Φ D2 Bolt Circle Diameter	Connecting Bolts (n-M)
LXLC-50	50	200	261	165	125	4-M16
LXLC-65	65	200	271	185	145	4-M16
LXLC-80	80	225	279	200	160	8-M16
LXLC-100	100	250	289	220	180	8-M16
LXLC-125	125	250	299	250	210	8-M16
LXLC-150	150	300	319	285	240	8-M20
LXLC-200	200	350	346	340	295	8-M20(1.0DE)
						12-M20(1.6MPa)
LXLC-250	250	450	450	395(1.0MPa)	350(1.0MPa)	12-M20(1.0MPa)
				405(1.6MPa)	355(1.6MPa)	12-M24(1.6MPa)
LXLC-300	300	500	478	445(1.0MPa)	400(1.0MPa)	12-M20(1.0MPa)
				460(1.6MPa)	410(1.6MPa)	12-M24(1.6MPa)

Pressure Loss Curve



Flow Technique Specification

Nominal Flow	Maximum Flow Q_1	Permanent Flow Q_2	Q_1 / Q_2	Q_3 / Q_2	Transitional Flow Q_3	Minimum Flow Q_4	Minimum Reading		Maximum Reading			
							Full Glass Seal	Common Seal	Full Glass Seal	Common Seal		
DN	m ³ /h				m ³ /h		m ³					
50	31.3	25	50	1.8	0.8	0.5	0.0005	0.0002	999,999	999,999		
				4	2							
	50	40	80	1.8	0.8	0.5						
				4	2							
65	50	40	50	1.8	1.3	0.8	0.0005	0.0002	999,999	999,999		
				4	3.2							
			80	40	80	1.8					0.8	0.5
						4					2	
80	78.8	63	50	1.8	2	1.3	0.002	0.002	999,999	9,999,999		
				4	5							
			80	63	80	1.8					1.3	0.8
						4					3.2	
100	125	100	50	1.8	3.2	2	0.002	0.002	999,999	9,999,999		
				4	8							
			80	100	80	1.8					2	1.3
						4					5	
125	200	160	50	1.8	4	3.2	0.002	0.002	999,999	9,999,999		
				4	12.8							
			80	160	80	1.8					3.2	2
						4					8	
150	312.5	250	50	1.8	8	5	0.002	0.002	999,999	9,999,999		
				4	20							
			80	250	80	1.8					5	3.1
						4					12.4	
200	500	400	50	1.8	12.8	8	0.002	0.002	999,999	9,999,999		
				4	32							
			80	400	80	1.8					8	5
						4					20	
250	787.5	630	25	1.8	40.3	25.2	0.02	0.02	9,999,999	99,999,999		
				4	100.8							
			50	630	50	1.8					20	12.6
						4					50.4	
300	1250	1000	25	1.8	64	40	0.02	0.02	9,999,999	99,999,999		
				4	160							
			50	1000	50	1.8					32	20
						4					80	

LXXG(R) 50 – 300(mm)

Irrigation Horizontal vane wheel, dry-dial cold (hot) water meter

This type of water meter can be used for a remote reading transmission system as equipped with a built-in sensor.

Application

- Measuring the volume of cold (hot) water passing through the pipeline.

Features

- Removable element structure, easy installation and maintenance.
- Dry-dial, Magnetic drive.
- Large flow capacity, small pressure loss.
- Resist water hammer and pollution.
- Vacuum sealed register ensures the dial keep free from condensation and keep the reading clear in a long term service.
- Selected high quality materials for steady and reliable characteristic.
- Technical data conform to international standard ISO 4064.

Optional Features

- Plastic register, cooper register and full glass register.
- Accuracy: R=20.
- Size: DN50-300mm.
- Cold / Hot water.
- Reed switch option.
- Flange standard can be choose.

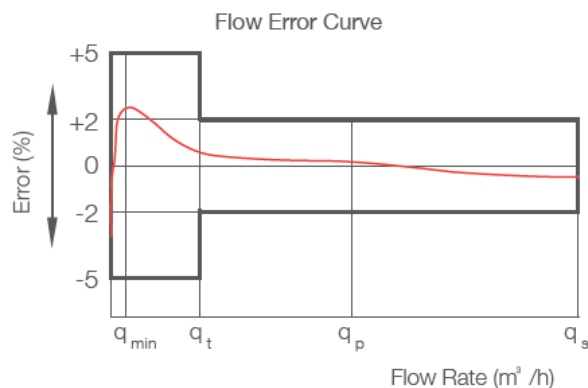
- 360 degree rotate can be choose.
- Cast iron, Ductile iron SS304, SS316 body can be choose.
- Working pressure PN 16/25.

Working Condition

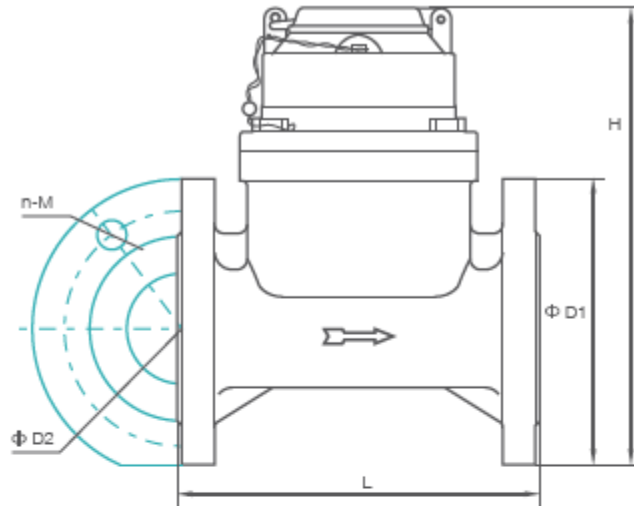
- Water temperature: 0.1 C – 50 C (0.1 C – 90 C for hot water meter).
- Water pressure ≤ 1.0 Mpa (1.6Mpa on request).

Maximum Permissible Errors.

- In the lower zone from q_{min} inclusive up to but excluding q_t is ± 5 %.
- In the upper zone from q_t inclusive up to and including q_s is ± 2 % (± 3 % for hot water meter).

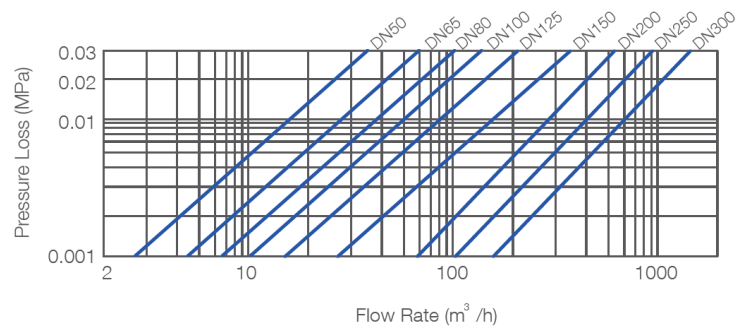


Dimensions



Type	Size	L Length	H Height	Connecting Flange		
				ΦD1 Outside Diameter	ΦD2 Bolt Circle Diameter	Connecting Bolts (n-M)
LXXG-50	50	200	253	165	125	4-M16
LXXG-65	65	200	268	185	145	4-M16
LXXG-80	80	225	284	200	160	8-M16
LXXG-100	100	250	295	220	180	8-M16
LXXG-125	125	250	310	250	210	8-M16
LXXG-150	150	300	339	285	240	8-M20
LXXG-200	200	350	382	340	295	8-M20(1.0MPa)
						12-M20(1.6MPa)
LXXG-250	250	400	433	395	350	12-M20(1.0MPa)
		450	438	405	355	12-M24(1.6MPa)
LXXG-300	300	450	483	445	400	12-M20(1.0MPa)
		500	488	460	410	12-M24(1.6MPa)

Pressure Loss Curve



Flow Technque Spesification

Nominal Flow	Maximum Flow Q ₂	Permanent Flow Q ₁	Q ₂ / Q ₁	Q ₂ / Q ₁	Maximum Flow Q ₂	Permanent Flow Q ₁	Minimum Reading		Maximum Reading	
							Full Glass Seal	Common Seal	Full Glass Seal	Common Seal
DN	m ³ /h		Q ₂ / Q ₁	Q ₂ / Q ₁	m ³ /h		m ³			
50	31.25	25			50	1.6	1.6	1	0.0005	0.0002
			4	4						
65	50	40	25	1.6	2.6	1.6	0.002	0.002	999,999	9,999,999
				4	6.4					
80	78.8	63	25	1.6	4	2.5	0.002	0.002	999,999	9,999,999
				4	10					
100	125	100	25	1.6	6.4	4	0.002	0.002	999,999	9,999,999
				4	16					
125	200	160	25	1.6	10.2	6.4	0.002	0.002	999,999	9,999,999
				4	25.6					
150	312.5	250	25	1.6	16	10	0.002	0.002	999,999	9,999,999
				4	40					
200	500	400	25	1.6	25.6	16	0.002	0.002	999,999	9,999,999
				4	64					
250	787.5	630	25	1.6	40.3	25.2	0.02	0.02	9,999,999	99,999,999
				4	100.8					
300	1250	1000	25	1.6	64	40	0.02	0.02	9,999,999	99,999,999
				4	160					

MULTI-JET VANE WHEEL TYPE

Dry-dial Brass body water meters

It is a multi-jet dry type water meter for residential application in sizes 15mm-50mm for cold / hot water

Features

- Magnetic Drive, Lower transmission resistance.
- Magnetic shield, for external magnetic field protection.
- Sealed dry register ensures long time clear reading.
- External regulating device.

-Accessories: 2 pcs coupling, 2 pcs coupling nuts and 2 pcs washers.

Standards Compliance

- Technical data conform to international standard ISO 4064.

Optional Features.

- Register sealed type: Dry type; Semi-dry type: Super dry type.
- Accuracy: R=80 ; 100: 125; 160.
- Size : 15-50mm.
- Cold / hot water.
- Non return valve.

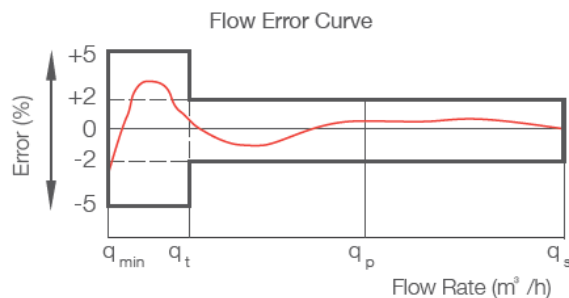
- Reed switch option.
- Several Lengths and connections available on request.
- Thread end type: BSP/ NPT.

Working Conditions

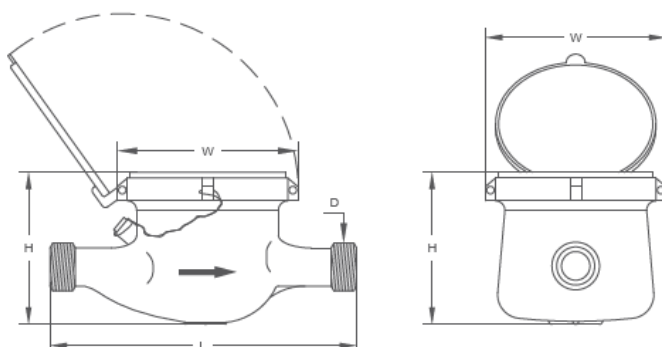
- Water temperature: 0.1 C – 40 C for cold water meter.
- 0.1 C- 90 C for hot water meter.
- Water pressure : ± 1.6 Mpa (16 bar).

Maximum Permissible Error

- In the lower zone from q_{min} inclusive up to but excluding q_t is $\pm 5\%$.
- In the upper zone from q_t inclusive up to and including q_s is $\pm 2\%$: $\pm 3\%$ for hot water.



Overall Dimension And Weight



DN (mm)	15	20	25	32	40	50	50
Size (inch)	1/2"	3/4"	1"	1-1/4"	1-1/2"	2"	2"
Length (L)	165/190	190	260	260	300	300	280
Width (W)	99/104	98	103.5	103.5	125	125	160
Height (H)	116/121	117	124	124	162	162	187.5
Connecting Thread D	G3/4B	G1B	G11/4B	G11/2B	G2B	G21/2B	Flange end
Weight (kgs)	1.65	1.79	1.85	2.68	5.25	7.25	

Technical Data

DN (mm)		15	20	25	32	40	50
Size (inch)		1/2"	3/4"	1"	1-1/4"	1-1/2"	2"
Q4(l/h)		3125	5000	7875	12500	20000	31250
Q3(l/h)		2500	4000	6300	10000	16000	25000
R=80	Q2 (l/h)	50	80	126	200	320	400
	Q1 (l/h)	31.25	50	78.75	125	200	250
R=100	Q2 (l/h)	40	64	100.8	160	256	400
	Q1 (l/h)	25	40	63	100	160	250
R=125	Q2 (l/h)	32	51.2	80.64	128	204.8	200
	Q1 (l/h)	20	32	50.5	80	128	
R=160	Q2 (l/h)	22.5	40	63	100	160	400
	Q1 (l/h)	15.62	25	39.37	62.5	100	250
Max. Reading (m3)		99,999	99,999	99,999	99,999	99,999	99,999
Min. Reading (Liter)		0.05	0.05	0.05	0.05	0.05	0.05
Max. Pressure (Bar)		16	16	16	16	16	16
Pressure Loss (ΔP)		63					
Max. Temperature		T=50 /90					
Pulse Output Option		Vmax=24V					
		Imax=100mA					
		Pmax=2W					

MULTI-JET VANE WHEEL TYPE

Dry-dial Brass Body Copper Sealed Water Meters

It is a multi-jet dry type water meter for residential application in sizes 15mm-20mm for cold / hot water.

Copper can super dry register with 7 rollers and 8 rollers under IP68.

Features

- Magnetic Drive, Lower transmission resistance.
- Magnetic shield, for external magnetic field protection.
- Sealed dry register ensures long time clear reading.
- External Regulating device.

-Accessories: 2ps coupling, 2 pcs coupling nuts and 2 pcs washers.

Standards Compliance

Technical data conform to international standard ISO 4064.

Optional Features

- Register Sealed type: Dry type.
- Accuracy: R=80.
- Size: 15-20mm
- Cold / hot water.
- Non return valve.
- Reed switch option.

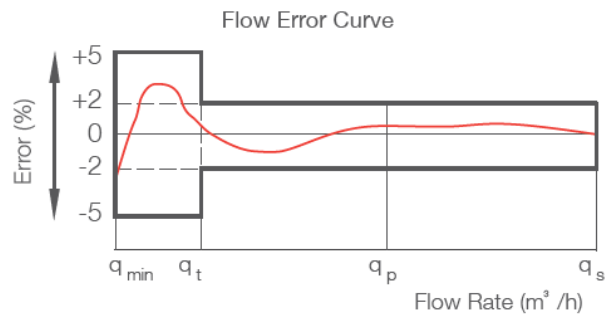
- Several lengths and connection available on request.
- Thread end type: BSP / NPT.

Working Conditions

- Water temperature: 0.1 C -50°C for cold water meter.
- 0.1°C – 90°C for hot water meter.
- Water pressure : ≤ 1.6 Mpa (16 bar).

Maximum permissible error

- In the lower zone from q_{min} inclusive up to but excluding q_t is $\pm 5\%$.
- In the upper zone from q_t inclusive up to and including q_s is $\pm 2\%$; $\pm 3\%$ for hot water meter.

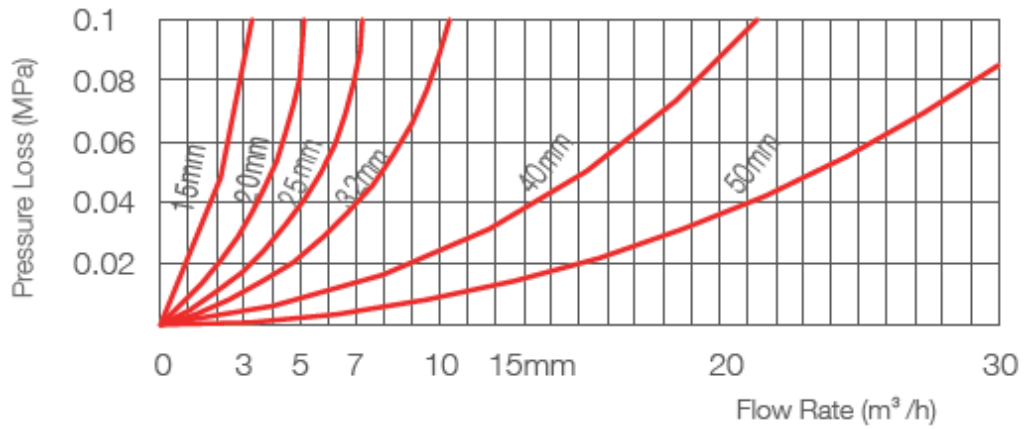


Full Copper Register
7+2 Wheels

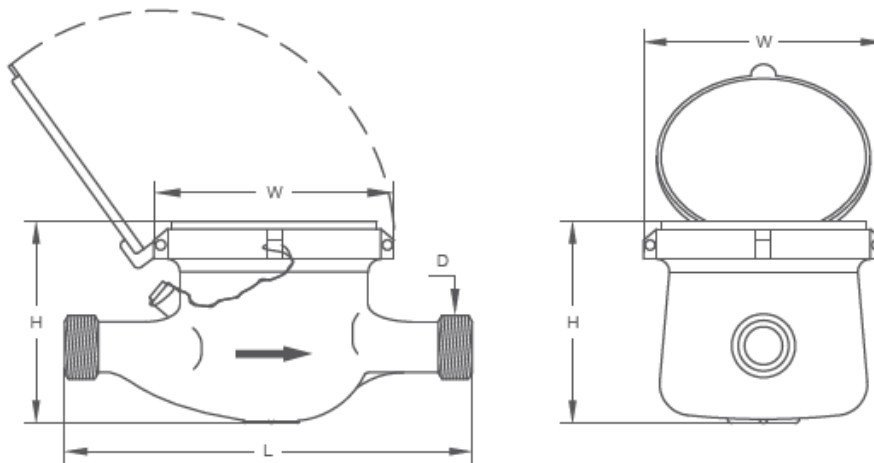


Full Copper Register
8+1 Wheels

Pressure Loss Curve



Overall Dimension and Weight



DN (mm)	15	20
Size (inch)	1/2"	3/4"
Length (L)	165/190	190
Width (W)	99/104	98
Height (H)	116/121	117
Connecting Thread D	G3/4B	G1B

Technical Data

DN (mm)		15	20
Size (inch)		1/2"	3/4"
Q4 (l/h)		3125	5000
Q3 (l/h)		2500	4000
R=80	Q2 (l/h)	50	80
	Q1 (l/h)	31.25	50
R=100	Q2 (l/h)	40	64
	Q1 (l/h)	25	40
Max. Reading (m3)		99,999	99,999
Min. Reading (Liter)		0.05	0.05
Max. Pressure (Bar)		16	16
Pressure Loss (ΔP)		63	
Max. Temperature		T=50 /90	
Pulse Output Option		Vmax=24V	
		Imax=100mA	
		Pmax=2W	

MULTI-JET VANE WHEEL TYPE

Dry-dial Brass Body Copper Sealed Water Meters

It is a multi-jet dry type water for residential application in sizes 15mm – 50mm for cold water.

Features

- All the plastic raw material is 100% new material, not any second-hand material.
- High working pressure can afford PN16.
- Magnetic Drive, lower transmission resistance.
- Magnetic shield, for external magnetic field protection.
- Sealed dry register ensures long time clear reading.
- External Regulating device.

-Accessories: 2 pcs coupling, 2 pcs coupling nuts and 2 pcs washers.

Standards Compliance

Technical data conform to international standard ISO 4064.

Optional Features

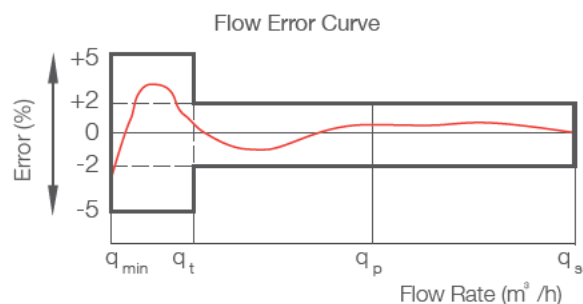
- Register Sealed type: Dry type.
- Accuracy: R=80 ; 100.
- Non return valve.
- Reed switch option.
- Thread end type: BSP / NPT.

Working Conditions

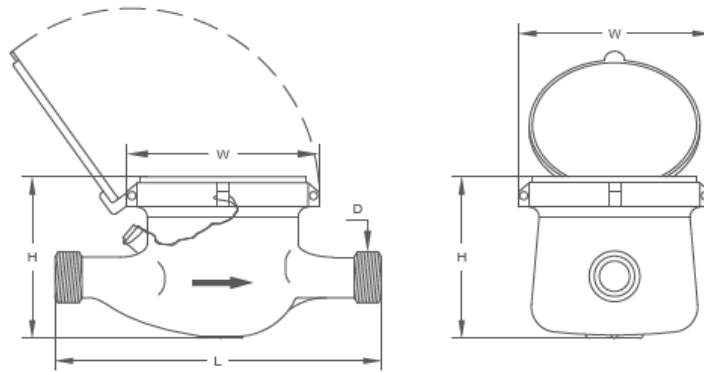
- Water temperature: 0.1 C -50°C for cold water meter.
- 0.1°C – 90°C for hot water meter.
- Water pressure : ≤ 1.6 Mpa (16 bar).

Maximum permissible error

- In the lower zone from q_{min} inclusive up to but excluding q_t is $\pm 5\%$.
- In the upper zone from q_t inclusive up to and including q_s is $\pm 2\%$



Overall Dimension and Weight



DN (mm)	15	20	25	32	40	50	50
Size (inch)	1/2"	3/4"	1"	1-1/4"	1-1/2"	2"	
Length (L)	165/190	190	260	260	300	300	280
Width (W)	99/104	98	103.5	103.5	125	125	160
Height (H)	116/121	117	124	124	162	162	187.5
Connecting Thread D	G3/4B	G1B	G11/4B	G11/2B	G2B	G21/2B	Flange connect
Weight (kgs)	1.65	1.79	1.85	2.68	5.25	7.25	

