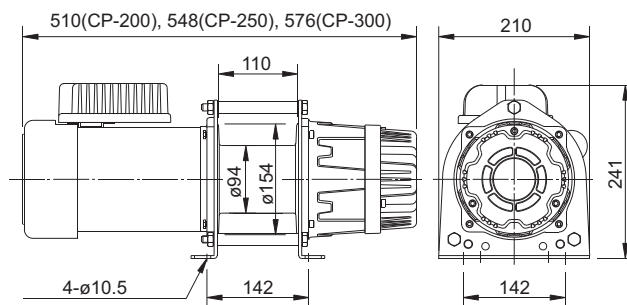


# ELECTRIC Winch

## 200-250-300 kg

## CP-200, CP-250, CP-300

110V or 220V-240V x 1ph AC



### FEATURES

- Positive retention of wire rope on to drum
- Electromagnetic spring-applied failsafe brake
- Heavy duty high efficiency ball bearings on all running surfaces
- Planetary gears for maximum mechanical efficiency
- Enclosed drum flanges to prevent rope becoming trapped between drum and support steel plates
- Quiet running
- Emergency stop function switch is available upon request
- Low voltage control ass'y is available upon request

### SPECIFICATIONS

MODEL	CP-200	CP-250	CP-300	
Lifting capacity kg wire rope top layer	200	250	300	
Lifting speed, first layer	10	10	10	
m/min top layer	15	15	15	
Motor rating	Induction	Induction	Induction	
IP44	output, 1ph, 110V	0.6 x 4	0.75 x 4	1.1 x 4
	kw x poles 1ph, 220V-240V			
Gear ratio	43:1	43:1	43:1	
Maximum lifting height, m	29	29	29	
Braking methods	Electromagnetic	Electromagnetic	Electromagnetic	
Wire rope	size, mm x m	* 6 x 30 5 x 45	* 6 x 30 5 x 45	* 6 x 30
	construction	6 x 19	6 x 19	6 x 19
	breaking strength, kg	2,010 1,270	2,010 1,270	2,010
Drum	length	110	110	110
dimension, mm	drum dia.	94	94	94
	flange dia.	154	154	154
Mounting bolts pattern (mm x mm)	142 x 142	142 x 142	142 x 142	
Standard accessory	Weight hook, CHW-0031	*	*	*
	Remote control	*	*	*
	Power lead	1.5 mm <sup>2</sup> x 3C x 3 m and industry plug		
Net weight, kg (standard version)	32	34	38	
Gross weight, kg	34	36	40	
Body dimension, mm (L x D x H)	510 x 210 x 241	548 x 210 x 241	576 x 210 x 241	
Box dimension, mm (L x D x H)	610 x 286 x 285	630 x 286 x 285	650 x 290 x 295	

**Note :** 1. Above performance ratings are based on 50Hz supply.  
(60Hz motor available as option resulting in a reduction of lifting capacities by 20% and a speed increase of 20%).  
2. \*\*\* Means standard version

### SOLUTION for REMOTE CONTROL

- 1). \*Remote control, CPB-213
  - Switch cord 1.25 mm<sup>2</sup> x 5C x 3 m
  - Pendant switch CPB-213

### PERFORMANCE DATA

Pulling load capacity for various inclines in kg

MODEL	Level Surface	GRADIENT % incline / angle in degrees				
		10%6°	20%11°	40%25°	60%31°	80%39°
CP-200	1,500	800	600	400	320	280
CP-250	1,850	1,000	750	500	400	350
CP-300	2,250	1,200	900	600	500	400

**Note :** The pulling capacities are based on a pulling load and 15% has been allowed for friction (specific applications will vary).

Lifting load, line speed and rope capacity

MODEL	CP-200		
Layer of Wire Rope	Lifting Load kg	Line Speed m/min	Total Rope on the drum, m
1 <sup>st</sup>	296	10	5.4
2 <sup>nd</sup>	264	11.3	11.5
3 <sup>rd</sup>	239	12.5	18.3
4 <sup>th</sup>	218	13.8	25.7
5 <sup>th</sup>	200	15	30

MODEL	CP-250		
Layer of Wire Rope	Lifting Load kg	Line Speed m/min	Total Rope on the drum, m
1 <sup>st</sup>	370	10	5.4
2 <sup>nd</sup>	330	11.3	11.5
3 <sup>rd</sup>	298	12.5	18.3
4 <sup>th</sup>	272	13.8	25.7
5 <sup>th</sup>	250	15	30

MODEL	CP-300		
Layer of Wire Rope	Lifting Load kg	Line Speed m/min	Total Rope on the drum, m
1 <sup>st</sup>	444	10	5.4
2 <sup>nd</sup>	396	11.3	11.5
3 <sup>rd</sup>	358	12.5	18.3
4 <sup>th</sup>	327	13.8	25.7
5 <sup>th</sup>	300	15	30

**Note :** Above performance ratings are based on 50Hz supply.

- 2). Remote control, PB-331
  - Switch cord 1.25 mm<sup>2</sup> x 5C x 3 m
  - Pendant switch PB-331 w/an emergency stop button
- 3). Low voltage control ass'y LV-320
  - Switch cord 1.25 mm<sup>2</sup> x 3C x 3 m
  - Pendant switch PB-306 w/an emergency stop button
  - Low voltage control, LV-320

**COMEUP**